



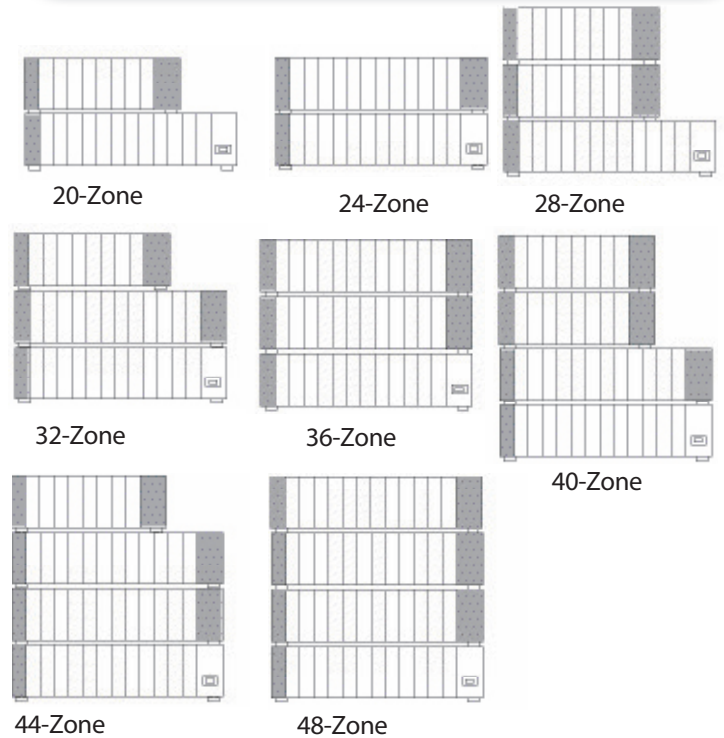
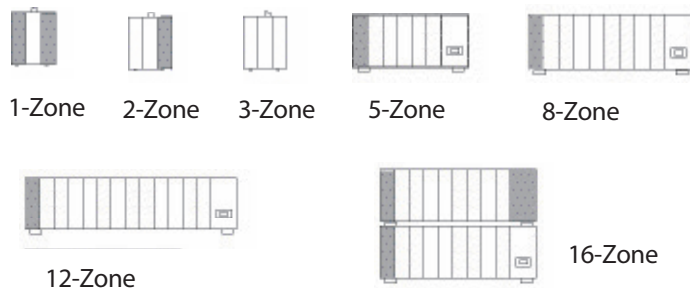
# MFL MAINFRAMES FOR MODULAR HOT RUNNER CONTROLLERS

Athena's MFL mainframes are designed to house our IMP, RMA, RMB, RMC and RMX series of modular hot runner controllers and provide up to 15A of power per controller/zone. There are multiple versions of mainframe available and are separated by the number of controllers that can be housed. Frame sizes available include 3 zone, 5 zone, 8 zone and 12 zone as individual frame sections; the 16 thru 48 zone frames use 2, 3 or 4 frame sections rigidly fastened together into one prewired integral unit which requires only one main AC power .

### KEY FEATURES

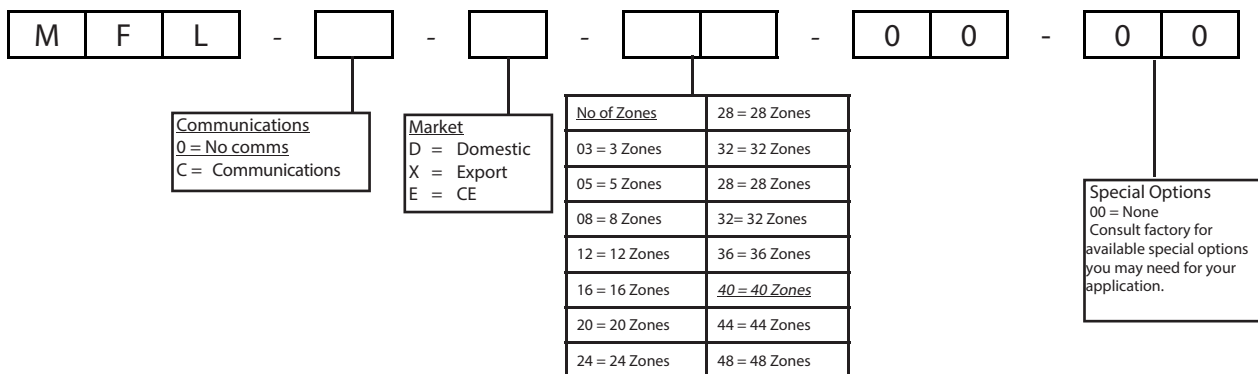
- ▲ Compact package design
- ▲ 1 to 48 zones of control with 15 amps per zone
- ▲ A high power mainframe option is available - the MFH series - which provides up 30 amps per zone for up to 6 zones.
- ▲ USB or Ethernet communications

### MFL AND MFH MAINFRAME CONFIGURATIONS



Mainframe cabinets may be stacked to form a permanent, integrated unit with a single ac power input and breaker. Up to 48 control modules (zones) may be accommodated. 5, 6, 8, and 12 zone mainframes have a circuit breaker rating of 50 amps and a maximum total wattage of 20 kW (domestic models) and 36 kW (Export and CE Models). Mainframes for 16 zones and over have a circuit breaker rating of 70 amps and 29 kW (domestic models) and 50.4 kW (Export and CE Models).

### ORDERING INFORMATION




# MFT MAINFRAMES FOR TWO ZONE MODULAR HOT RUNNER CONTROLLERS

The configurations shown here provide a wide selection of space saving zone capacities to suit almost any control application. The 5, 8 and 12 slot frames use individual frame sections with a 50A main circuit breaker, whereas the 16 and 24 slot frames use up to two frame sections rigidly fastened together with a 70 A main circuit breaker.


*NOTE: The MFT mainframe is designed for 15A modules but provides a maximum of 15A per slot.*




## MFT MAINFRAME CONFIGURATIONS

- 1-Slot  (2) Single Zone Combination Power and T/C Connector on top of frame


---

- 2-Slot  (1) 5 Zone T/C Connector on rear of frame  
(1) 5 Zone Power Connector on rear of frame

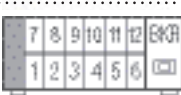
---

- 3-Slot  (1) 8 Zone T/C Connector on rear of frame  
(1) 8 Zone Power Connector on rear of frame

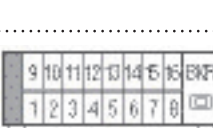
---

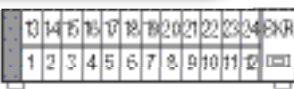
- 5-Slot  (1) 12 Zone T/C Connector on side of frame; (1) 12 Zone Power Connector on side of frame

---


- 6-Slot  (2) 8 Zone T/C Connector on side of frame, (1) on rear cover of frame; (2) 8 Zone Power Connectors (1) on side of frame, (1) on rear cover of frame

---


- 8-Slot  (2) 8 Zone T/C Connectors- (1) on frame side, (1) on rear cover  
(2) 8 Zone Power Connectors - (1) on frame side, (1) on rear cover

- 12-Slot  (2) 12 Zone T/C Connectors - (1) on frame side, (1) on rear cover;  
(2) 12 Zone Power Connectors - (1) on frame side, (1) on rear cover

---

- 16-Slot  (4) 8 Zone T/C Connectors ... Mounting per frame, 2 frames stacked - (1) on side of each frame, (1) on rear cover of each frame;  
(4) 8 Zone Power Connectors... Mounting per frame, 2 frames stacked - (1) on side of each frame, (1) on rear cover of each frame

---

- 24-Slot  (4) 12 Zone T/C Connectors... Mounting per frame, 2 frames stacked - (1) on side of each frame, (1) on rear cover of each frame  
(4) 12 Zone Power Connectors... Mounting per frame, 2 frames stacked - (1) on side of each frame, (1) on rear cover of each frame

## ORDERING INFORMATION

M	F	T	-		-		-		0	0	-	0	0	
			Market		Slot Count		"T" Slots				Special Options			
			D = Domestic X = Export E = CE		01 = 2 Zones      08 = 12 - 16 Zones 02 = 4 Zones      12 = 16 - 24 Zones 03 = 6 Zones      16 = 16 - 32 Zones 05 = 8 - 10 Zones    24 = 26 - 48 Zones		Specify the number of RMT modules				00 = None Consult factory for available special options you may need for your application.			



Athena Controls, Inc.  
5145 Campus Drive,  
Plymouth Meeting, PA 19462 USA  
Toll Free: 1.800.782.6776;  
T: 1.610.828.2490, F: 1.610.828.7084;  
Email: mktg@athenacontrols.com  
www.athenacontrols.com