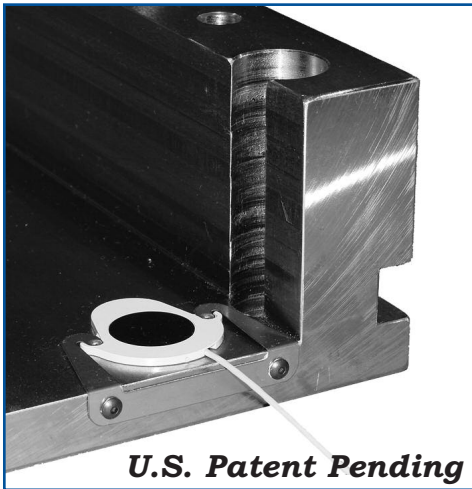




GLOBAL THINSWITCH®
Liquid-Resistant 3mm/4mm Height



U.S. Patent Pending



Switch and
1mm Spacer



General Description

Smartflow® Global Thinswitch® Limit Switch helps prevent accidental mold close in injection molds by verifying ejector plate return. The Global Thinswitch is designed for use in injection molds with 3mm or 4mm high rest buttons, and where occasional water or oil spray is present. A polyurethane dome covers the actuator spring, protecting internal gold switch contacts from environmental contamination.

A special mounting bracket aids installation from the edge of the mold. The bracket allows molders to slide the Thinswitch into place without disassembling the mold or using screws to hold the switch in place.

Features and Benefits

- ◆ Over 14 million cycle life
- ◆ 80°C (176°F) standard temperature rating
- ◆ Adjustable actuation between 3.2mm and 4mm from the switch base (excludes spacer)
- ◆ 3mm thick design fits snugly behind the ejector plate between the rest buttons
- ◆ 1mm spacer (included) may be used on molds with 4mm rest buttons.
- ◆ Stripped and tinned 2m wire leads
- ◆ Mounting hardware included: M3 x .5 screws and bracket

Specifications

Operating Temperature80°C (176°F) max.
Switching.....SPST (normally open)
ContactsBeCu with Hard Gold Plating

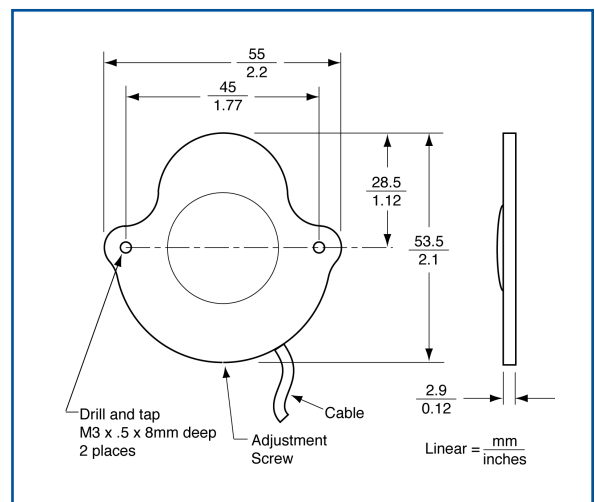
Rated Current (Resistive) at 24VDC vs. Operating Temperature		
mAmps	°C	°F
100	29.4	85
90	49.0	120
80	68.3	155
70	79.4	175

The Global Thinswitch® Limit Switch is designed for use in very low power mold protection control circuits. It is not intended to switch inductive loads such as relay or solenoid coils.

Materials

BodyFiberglass-Reinforced nylon
DomePolyurethane
Back CoverPolyester film
Wire Leads28ga stranded, 2-conductor, shielded cable, 2m long, ends stripped and tinned

**Part Number
TW-222-LR**



4500 E 142nd Street
Grandview, MO 64030
Tel. 800-764-3518
Fax 816-878-6683

Design and specifications are subject to change without notice.