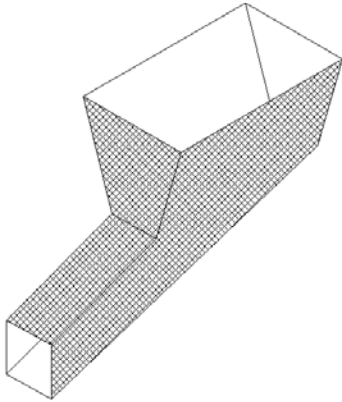
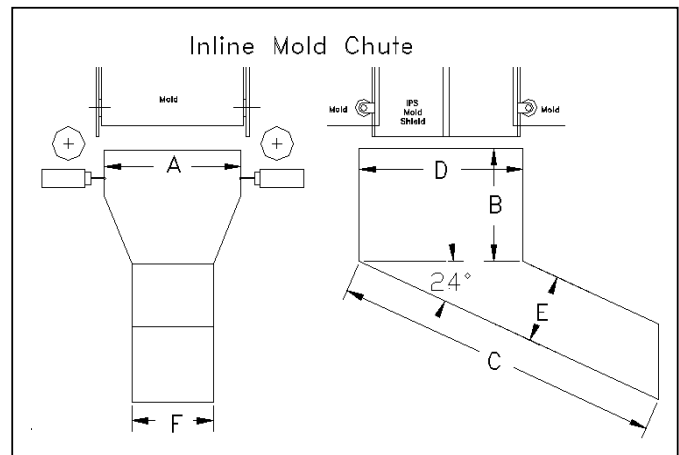
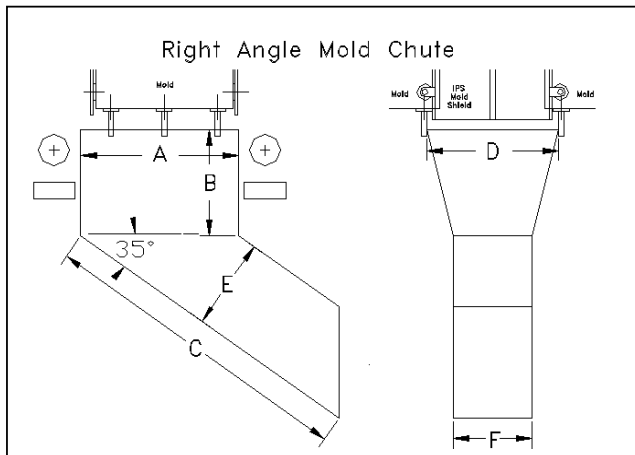
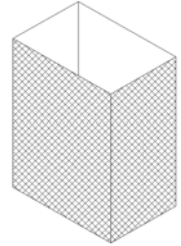


Mold Chutes & Mold Skirts

The Perfect Companion to Mold Shields

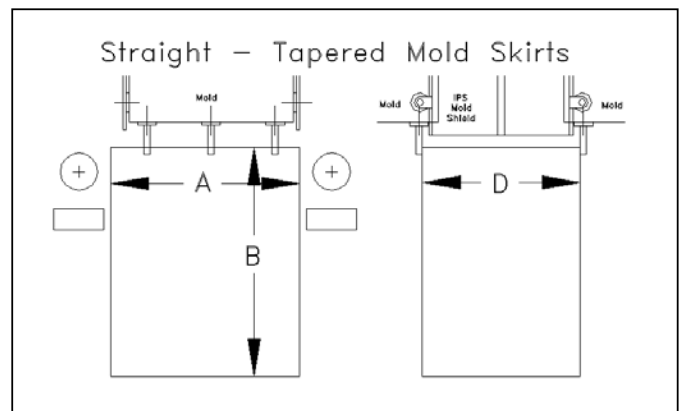


Mold Chutes are the practical alternative to using sheet metal or cardboard fabrications. Mold Chutes guide your product from mold eject onto a conveyor or into a drop box. Mold Chutes reduce contamination and loss of your molded parts. Each Mold Chute comes complete with mounting hardware. Installation is accomplished quickly using magnets and Velcro straps.



Product Features

- Soft PVC material does not absorb oil or grease.
- Abrasive, puncture and tear resistant.
- Easily cleaned.
- No folds to trap molded parts or contamination.
- Hard PVC insert assists gravity evacuation.



Specification sheets for IPS standard Mold Chutes and Mold Skirts may be viewed or downloaded @:

www.moldshield.com