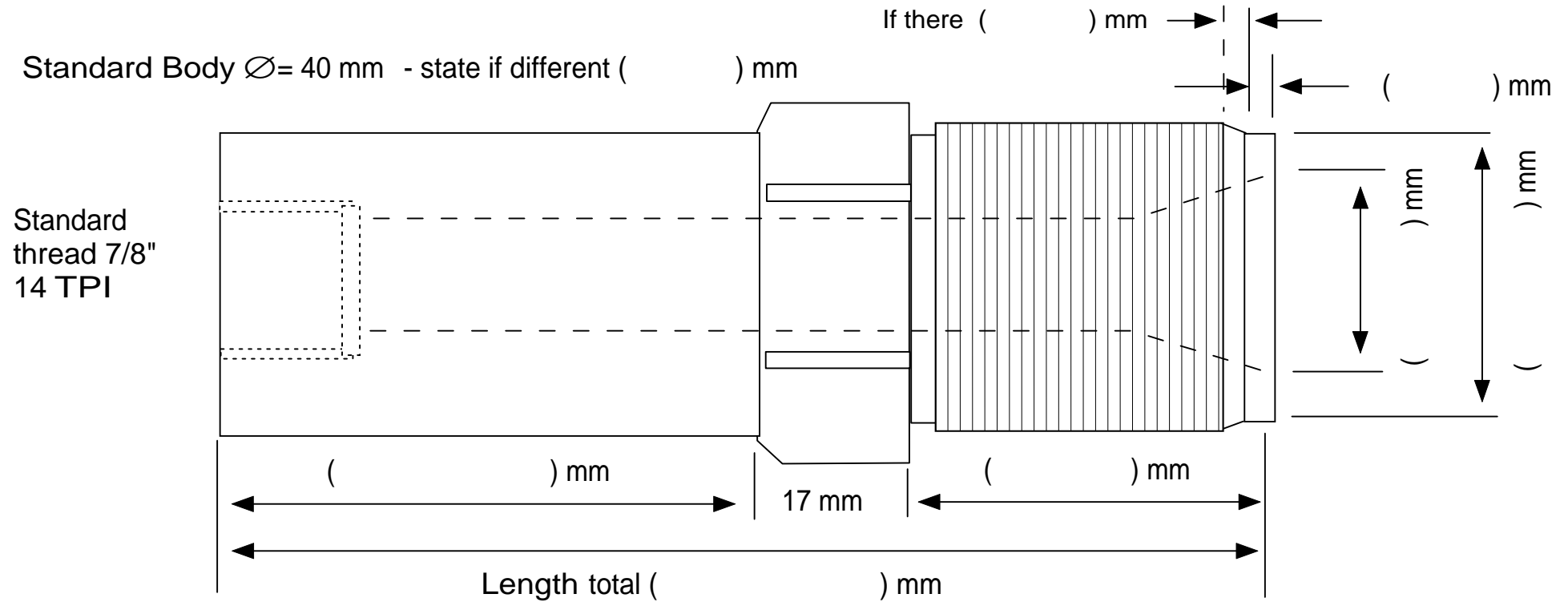


# Removable Nozzle Tip Order Form - FAX to 0845 838 1520



Office Use Only

Approved  \_\_\_\_\_

Date \_\_\_\_\_

Price \_\_\_\_\_

P/O \_\_\_\_\_

sales@ invotecsolutions.co.uk

Tele 0845 8381510 Fax 0845 838 1520

Thread = \_\_\_\_\_ x \_\_\_\_\_

Machine/Model \_\_\_\_\_

Company \_\_\_\_\_

Contact Name \_\_\_\_\_

Telephone \_\_\_\_\_

e-mail \_\_\_\_\_