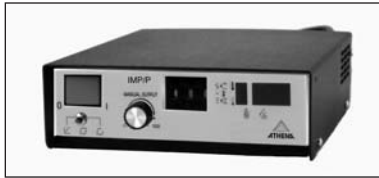


Series IMP/P and RMC/P Horizontal Portable Controllers

Series IMP/P Single-Zone Controller

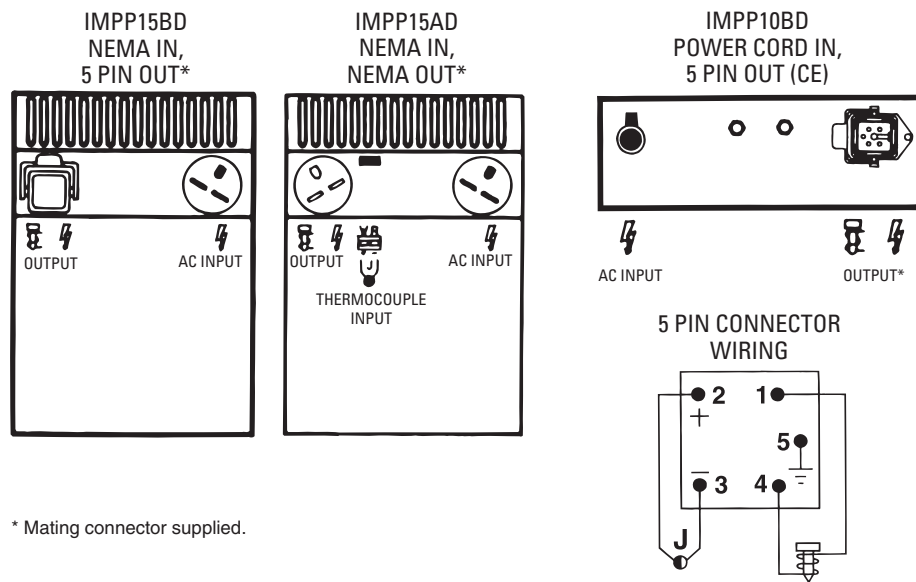


For features and technical specifications of the Series IMP/P, refer to the Series IMP description on page 52.

Series RMC/P Single-Zone Controller

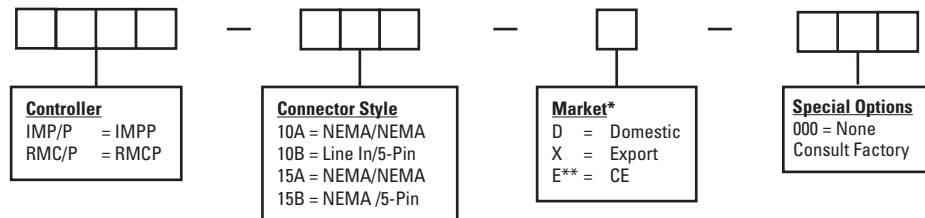


For features and technical specifications of the Series RMC/P, refer to the Series RMC description on page 58.



* Mating connector supplied.

Ordering Information



* Use "D" ordering suffix for 60Hz & °F
Use "X" ordering suffix for 50Hz & °C
Use "E" ordering suffix for 50Hz & °C, CE Compliant
** 10 amp only